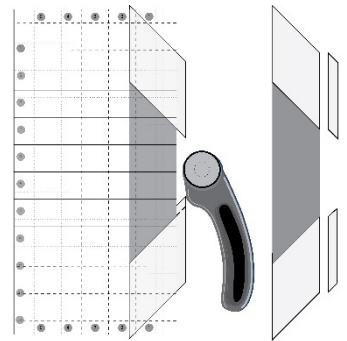


MODERN VICTORIAN HUNTER STAR REVIVAL ~ BY MICHELLE RENEE HIATT

CONSTRUCTION OF THE HUNTER STAR BLOCKS

14. **Position** a regular ruler over each trapezoid unit and trim to $1\frac{3}{4}$ ". **Trim away** the excess diamond fabric.



15. **Gather** the (11) sets of (12) Half Square Triangles (HST), for a total of (132). These Half Square Triangles will become your Triangles.

16. **Pair and position** the matching Trapezoid/Diamond units to the Half Square Triangles. **Place** the Trapezoid/Diamond Units onto the matching oversized Triangle, right sides together. **Position** the Triangle so it is in the center of the pieced Trapezoid/Diamond Unit. **Stitch** with the Trapezoid/Diamond Unit on top and with an accurate $\frac{1}{4}$ " seam. **Press** the seams toward the Triangles. You will have (132) Pieced Triangle Units.

